



University
of Glasgow

James Watt
School of
Engineering

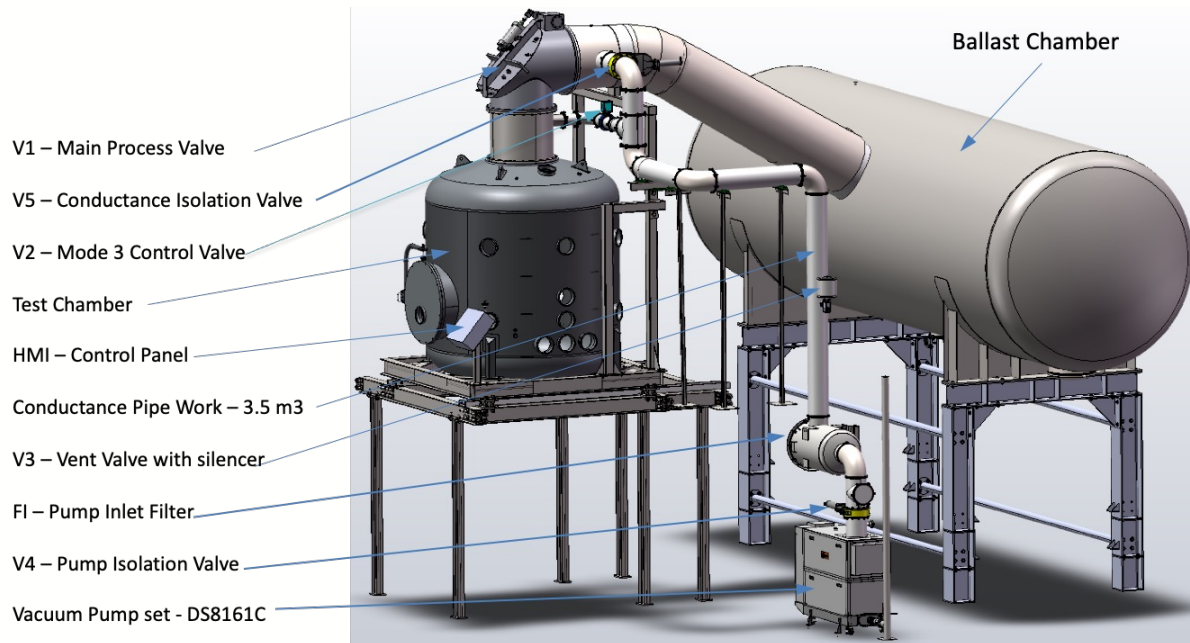
Large-volume dirty vacuum facility

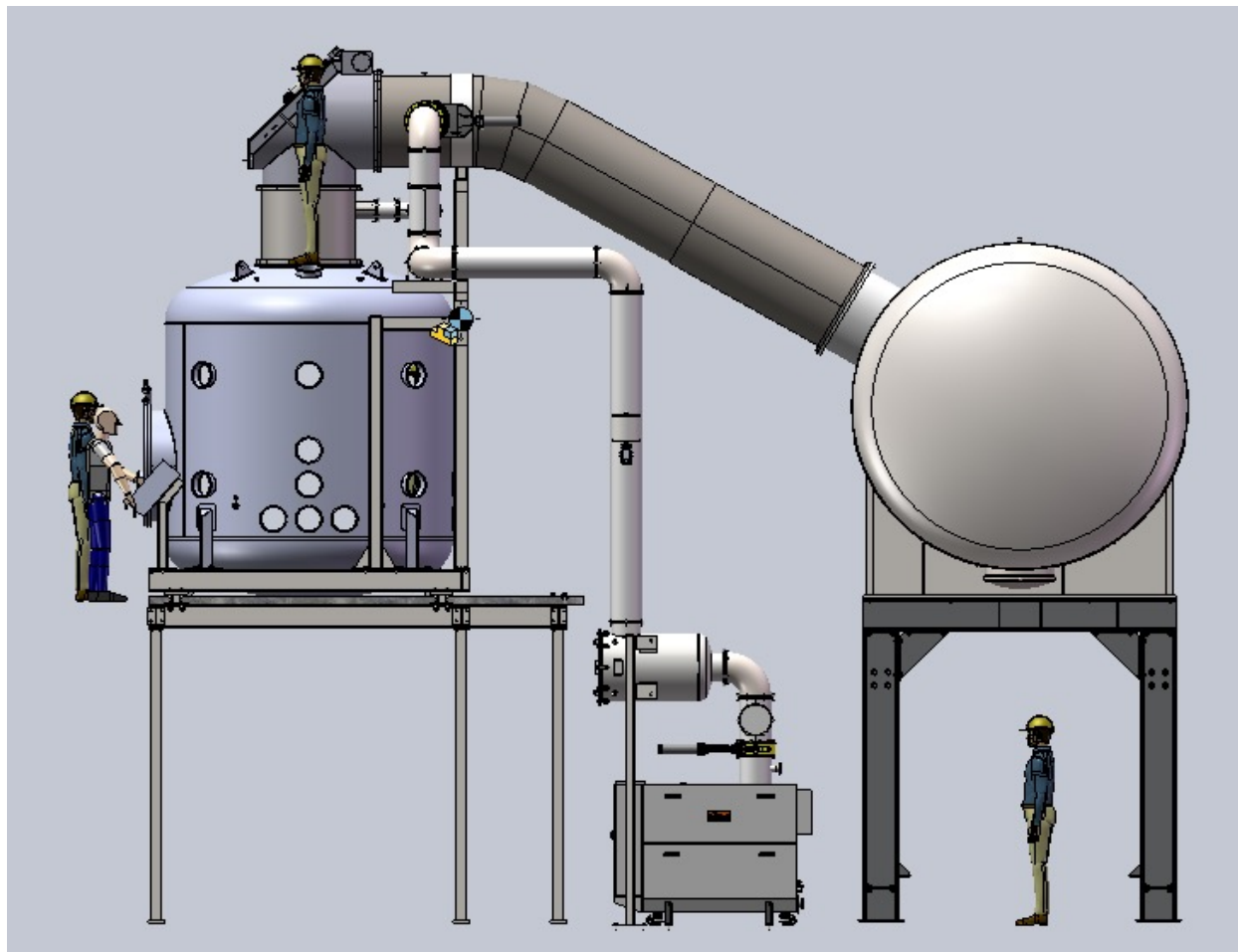


Facility specs

James Watt
School of
Engineering

- Test section volume $\sim 12\text{ m}^3$
- Buffer tank volume $\sim 60\text{ m}^3$
- Conduance pipe volume $\sim 3\text{ m}^3$
- Ultimate vacuum level $\sim 1\text{ Pa}$ (0.01mbar)
- Time to reach ultimate vacuum level $\sim 3.5\text{ hr}$





Environmental test chamber and interface



Inside test chamber



View ports



University
of Glasgow

Contact: Dr Hossein Zare-Behtash
Hossein.Zare-Behtash@glasgow.ac.uk

